

1-3/4" FIRE RATED DOOR MACHINING SHEET

STORE LOCATION _____ DATE _____

CUSTOMER NAME _____ P.O. # _____

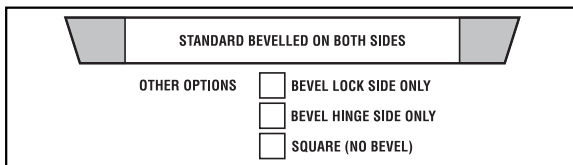
DOOR SPECIFICATIONS (Please fill in all required measurements, show all measurements in inches or fractions)

DOOR WIDTH _____

DOOR HEIGHT _____

DOOR THICKNESS _____

DOOR SPECIES/STYLE _____



FIRE RATING 20 minute

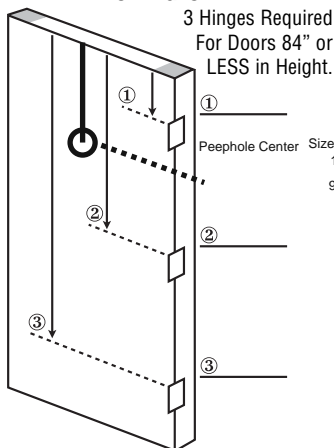
 45 minute

 60 minute

 90 minute

3 HINGES

3 Hinges Required
For Doors 84" or
LESS in Height.

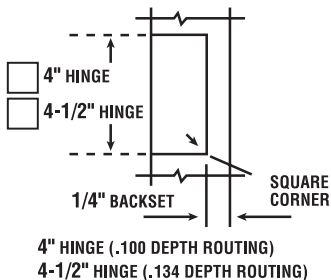


HINGE DETAILS

PLEASE NOTE:

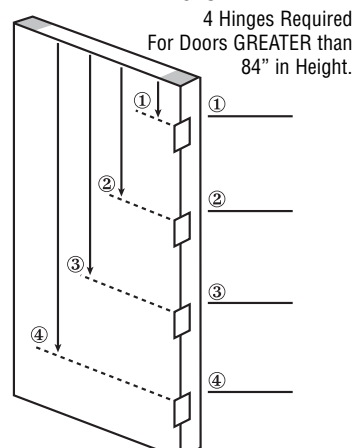
Hinge measurements must be taken from the top of the door to the top of each hinge.

HINGE MACHINING

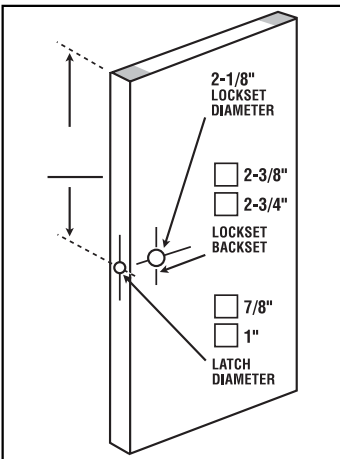


4 HINGES

4 Hinges Required
For Doors GREATER than
84" in Height.



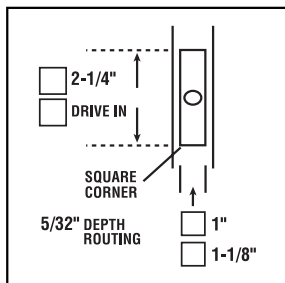
LOCKSET LOCATION



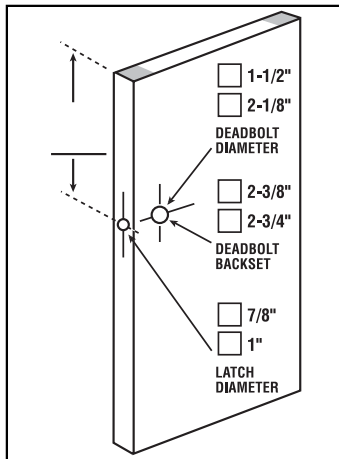
PLEASE NOTE:

Lockset location measured from the top of the door to the centre of the hole.

LOCKSET LATCH



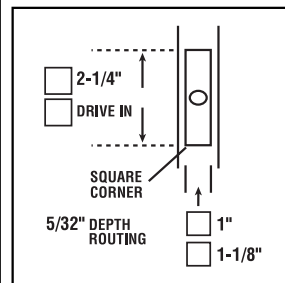
DEADBOLT LOCATION



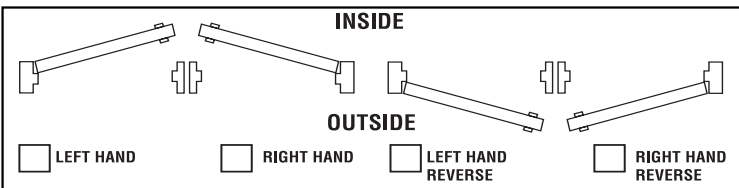
PLEASE NOTE:

Deadbolt location measured from the top of the door to the centre of the hole.

DEADBOLT LATCH



STANDARD DOOR SWING



Customer Signature _____

Masonite®