



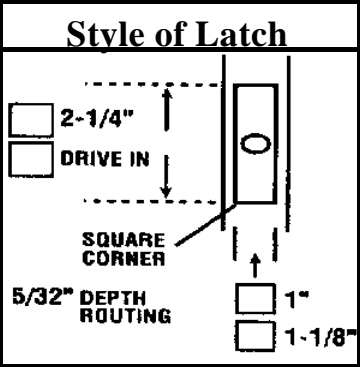
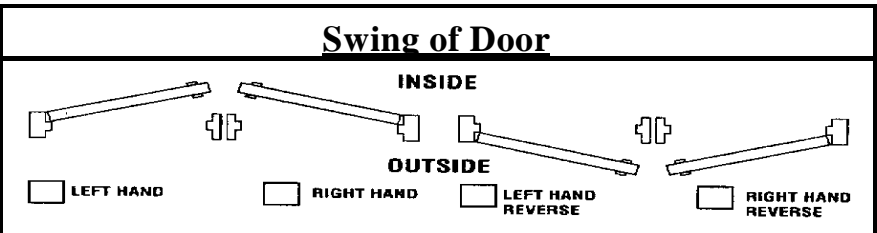
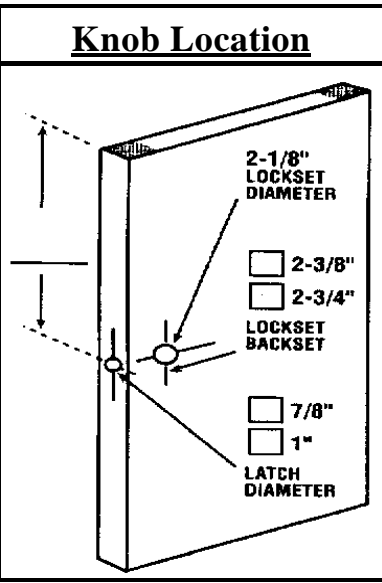
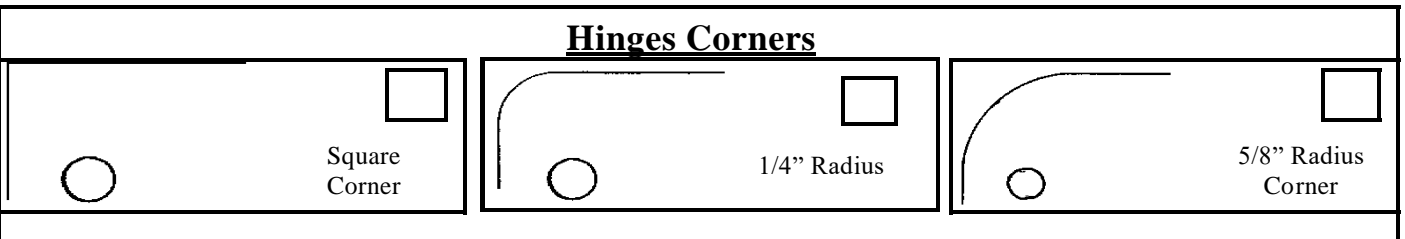
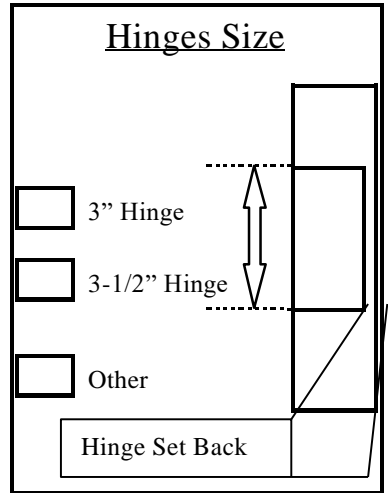
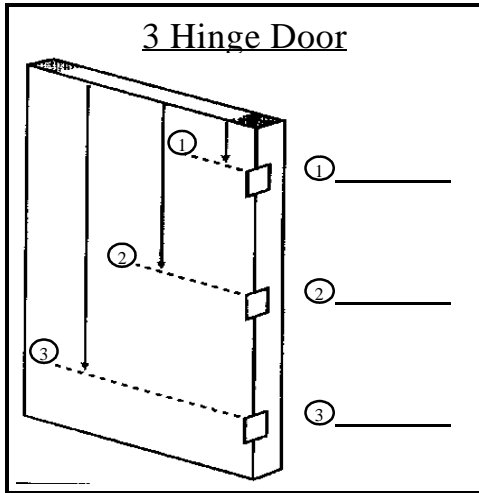
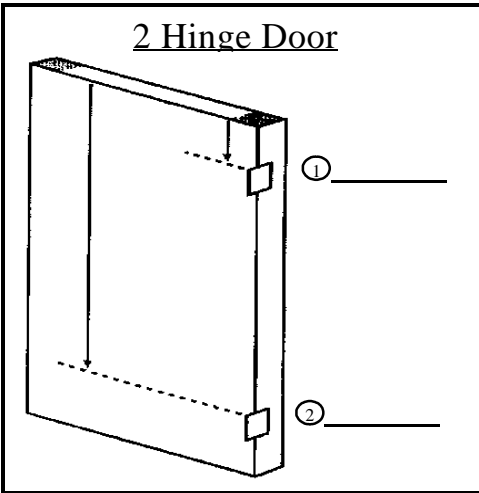
1-3/8" Interior Door Machining Sheet

Name: _____ Door Height: _____

Door Style: _____ Door Width: _____

(measure width from side hinge knuckles are on)

ALL MEASUREMENTS IN INCHES OR FRACTIONS OF INCHES



Notes: _____

X _____