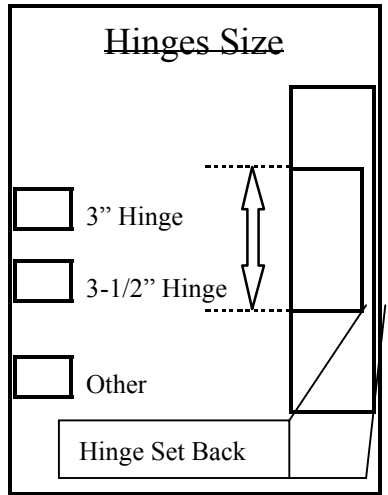
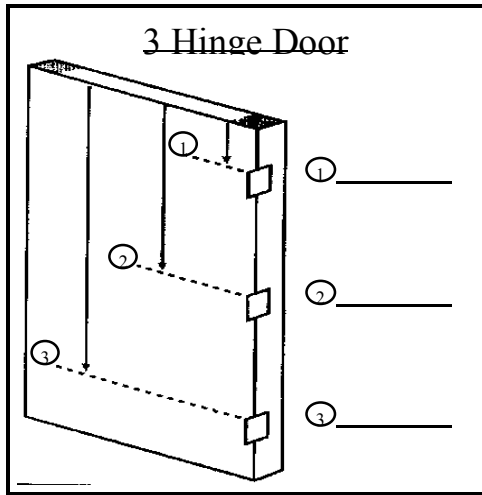
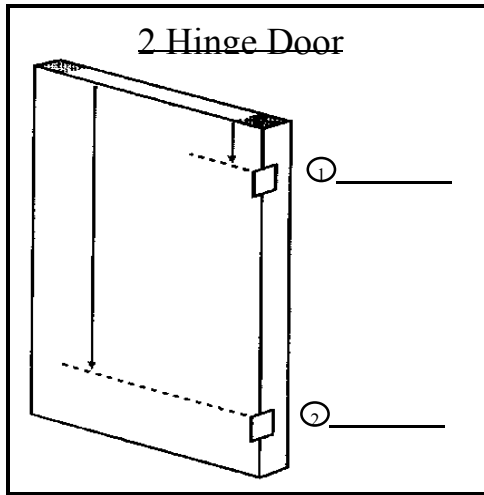


1-3/8" Interior Door Machining Sheet

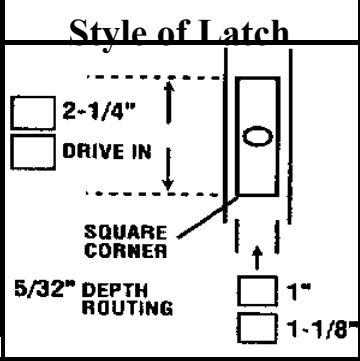
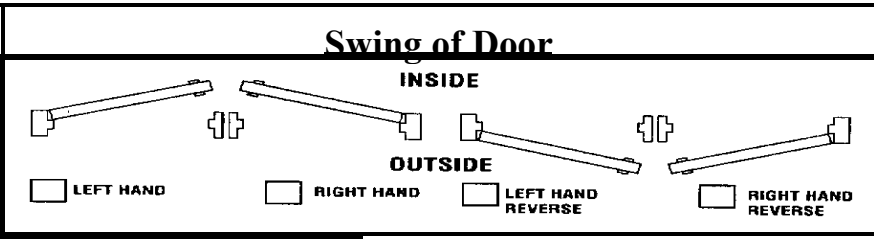
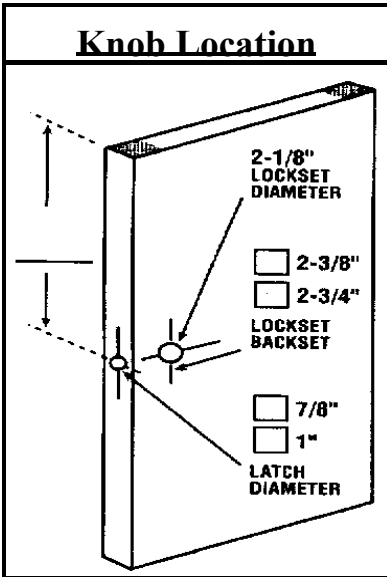
Name: _____ Door Height: _____
 Door Style: _____ Door Width: _____
 (measure width from side hinge knuckles are on)

ALL MEASUREMENTS IN INCHES OR FRACTIONS OF INCHES



Hinges Corners

<input type="checkbox"/> Square Corner	<input type="checkbox"/> 1/4" Radius	<input type="checkbox"/> 5/8" Radius Corner
---	---	--



Price List

2 hinges only	\$14.00
3 hinges only	\$16.00
2 hinges with Knob ...	\$20.00
3 hinges with Knob ...	\$22.00

X _____